

Dolphin PCIe3C PCIe 3.0 Cable Data Sheet

PCIe 3.0 x4 SFF-8644 copper cables with CMI

Dolphin provides PCI-SIG External Cabling Specification 3.0 cables (PCIe 3.0) that support standard Gen 3 PCIe 3.0 SFF-8644 connectors. The Dolphin cables are copper cables with various lengths up to 5M. The PCIe 3.0 cables support the new Cable Management Interface (CMI) used for sideband signaling.



Features

- Cable lengths .5m to 5m
- Conforms to the mechanical dimensioning requirements of SFF-8644
- PCIe 3.0 External Cabling Specification compliant
- x4 PCIe Gen 3 support
- 2 EEPROMs
- 100 Ohm Cable PVC
- RoHS compliant

Part Numbers

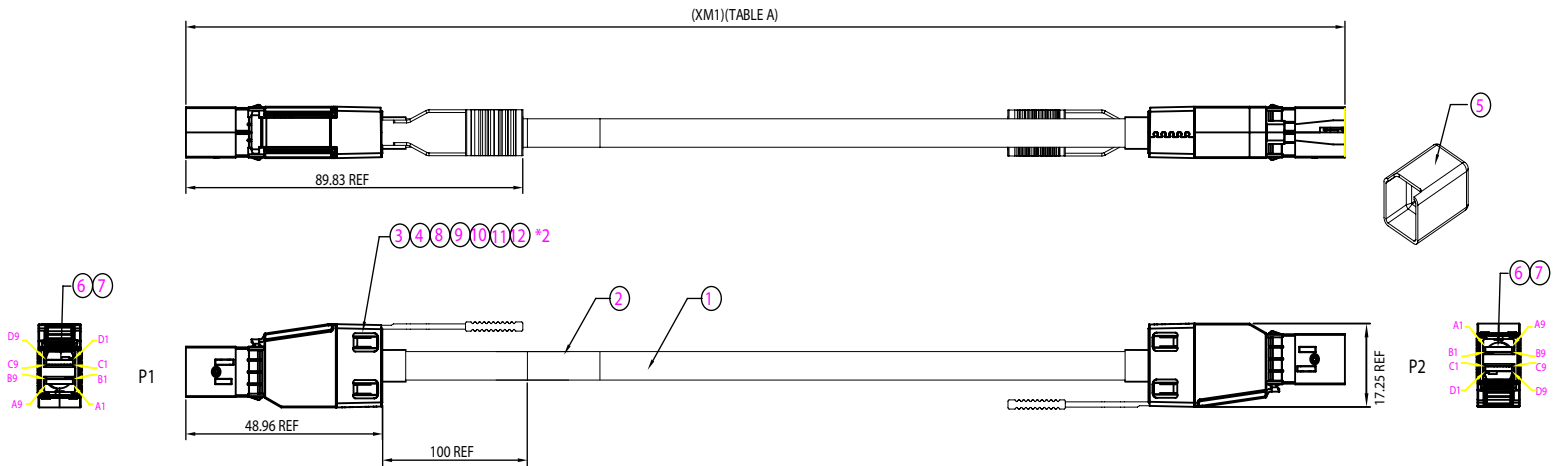
| Part | Length |
|-----------|----------|
| PCIe3C-0M | .5 Meter |
| PCIe3C-1M | 1 Meter |
| PCIe3C-2M | 2 Meter |
| PCIe3C-3M | 3 Meter |
| PCIe3C-5M | 5 Meter |

Pin-Out

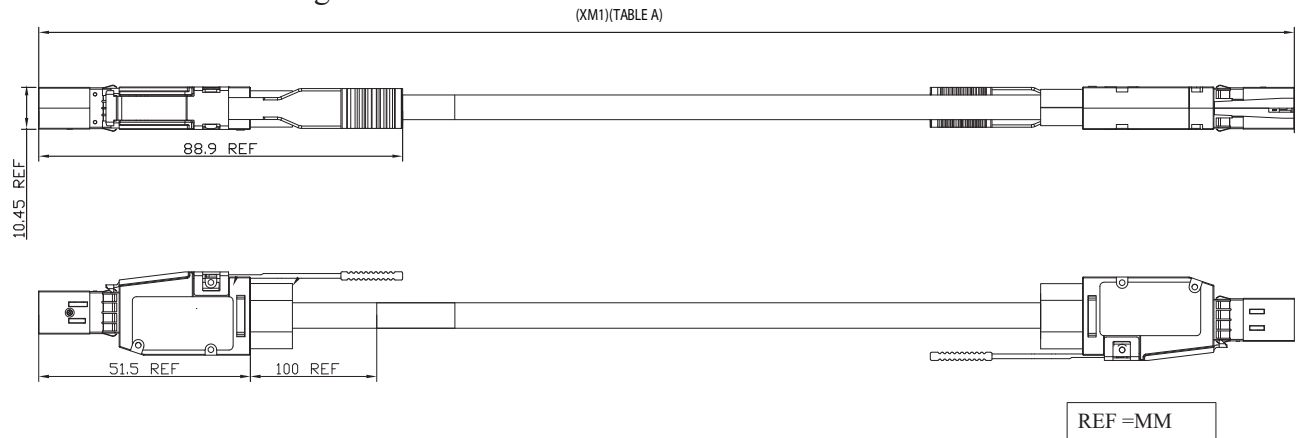
| External PCIe x4 Cable Pin-out | | | | | | | | | |
|--------------------------------|-----|-------|-------|-----|-------|-------|-----|-----------|--------|
| Row | 9 | 8 | 7 | 6 | 5 | 4 | 3 | 2 | 1 |
| D | GND | PETn2 | PETp2 | GND | PETn1 | PETp1 | GND | MGTPWR | PWR |
| C | GND | PETn3 | PETp3 | GND | PETn0 | PETp0 | GND | CMISDA | CMISCL |
| B | GND | PERn2 | PERp2 | GND | PERn1 | PERp1 | GND | CBLPRSNT# | PWR |
| A | GND | PERn3 | PERp3 | GND | PERn0 | PERp0 | GND | CINT# | CADDR |



.5 to 3 Meter cable drawing



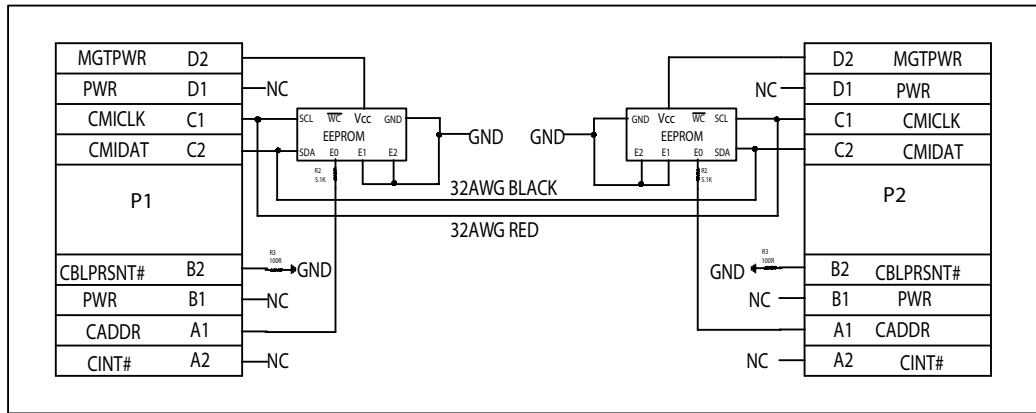
5 Meter cable drawing



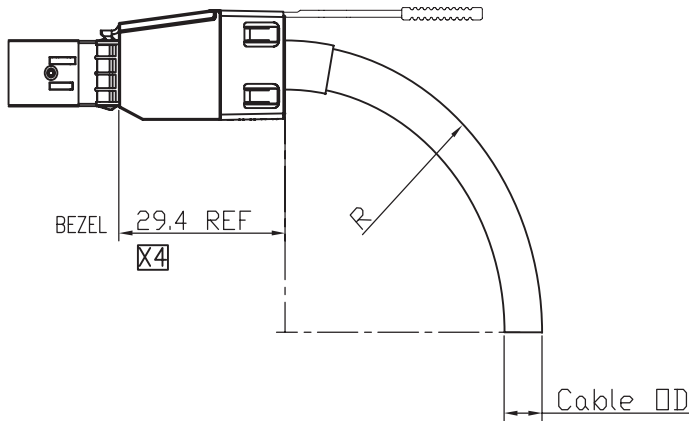
| ITEM | NAME | QTY | DESCRIPTION |
|------|------------------|-----|---|
| 12 | EEPROM | 2 | EEPROM, 2K, 24C02 |
| 11 | HEATSHRINK | A/R | HEATSHRINK, TUBING |
| 10 | EMI SPRING | 4 | EMI SPRING |
| 9 | PULL TAB | 2 | PULL TAB |
| 8 | SHELL CLIP LATCH | 2 | CLIP FOR SFF-8644 |
| 7 | PCB | 2 | EXT HD PCB A,B |
| 6 | PCB | 2 | EXT HD PCB C,D |
| 5 | DUST COVER | 2 | DUST COVER, PE, NATURAL |
| 4 | INNER MOLD | 2 | INNER MOLDING FOR EXT HD |
| 3 | SHELL | 4 | TOP, BOTTOM, SHELL FOR SFF-8644 |
| 2 | LABEL | 1 | CABLE ID LABEL |
| 1 | RAW CABLE | A/R | 8 PX28AWG+2CX32AWG, 8 PX26AWG+2CX32AWG, 100 Ohm PVC |



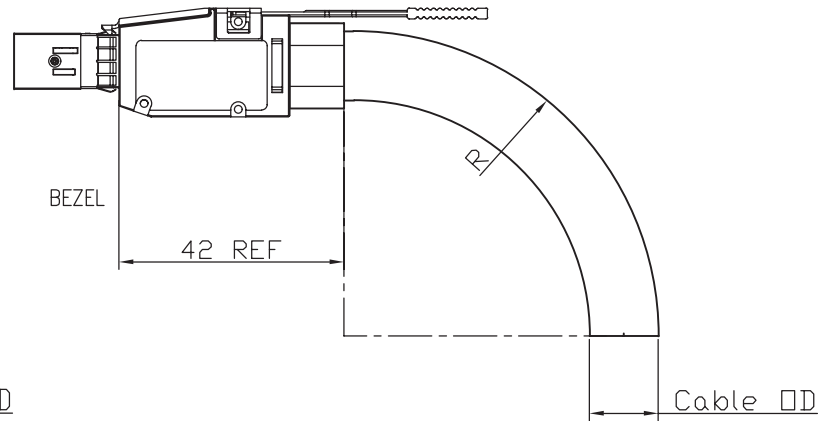
LOW SPEED CONTROL



.5 - 3 Meter

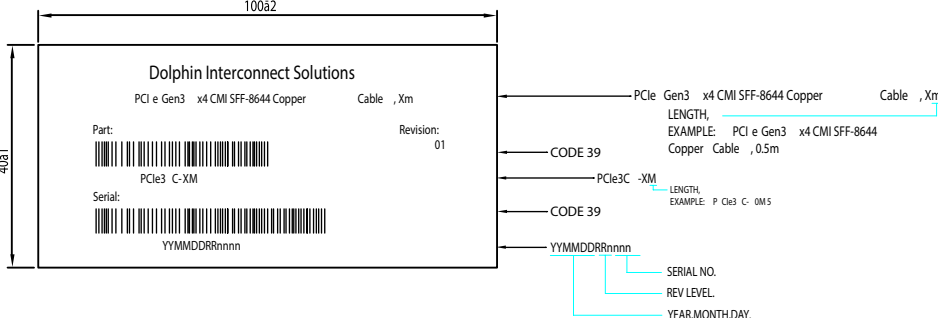


5 Meter



| Length | Cable Gauge | Cable "OD" | Static Bend Radius "R" | Dynamic Bend Radius "R" |
|--------|-------------|------------|------------------------|-------------------------|
| .5M-3M | 28AWG | 7.5MM | 37.5MM | 75MM |
| 5M | 26AWG | 8.4MM | 42.0MM | 84MM |

Label Information



| WIRE TYPE | XX AWG | XM1 LENGTH |
|-----------|--------|------------|
| PVC | 28 | 500+/- 20 |
| PVC | 28 | 1000+/-30 |
| PVC | 28 | 3000+/- 40 |
| PVC | 26 | 5000+/-50 |