

# Dolphin PCIe3L PCIe 3.0 Cable Data Sheet

## PCIe 3.0 x4 SFF-8644 copper cables with CMI

Dolphin provides PCI-SIG External Cabling Specification 3.0 cables (PCIe 3.0) that support standard Gen 3 PCIe 3.0 SFF-8644 connectors. The Dolphin cables are copper cables with lengths up to 5M. The PCIe 3.0 cables supports the new Cable Management Interface (CMI) used for sideband signaling.



### Features

- Cable lengths .5m to 5m
- Conforms to the mechanical dimensioning requirements of SFF-8644
- PCIe 3.0 External Cabling Specification compliant
- x4 PCIe Gen 3 support
- 2 EEPROMs
- 100 Ohm Cable PVC
- RoHS compliant

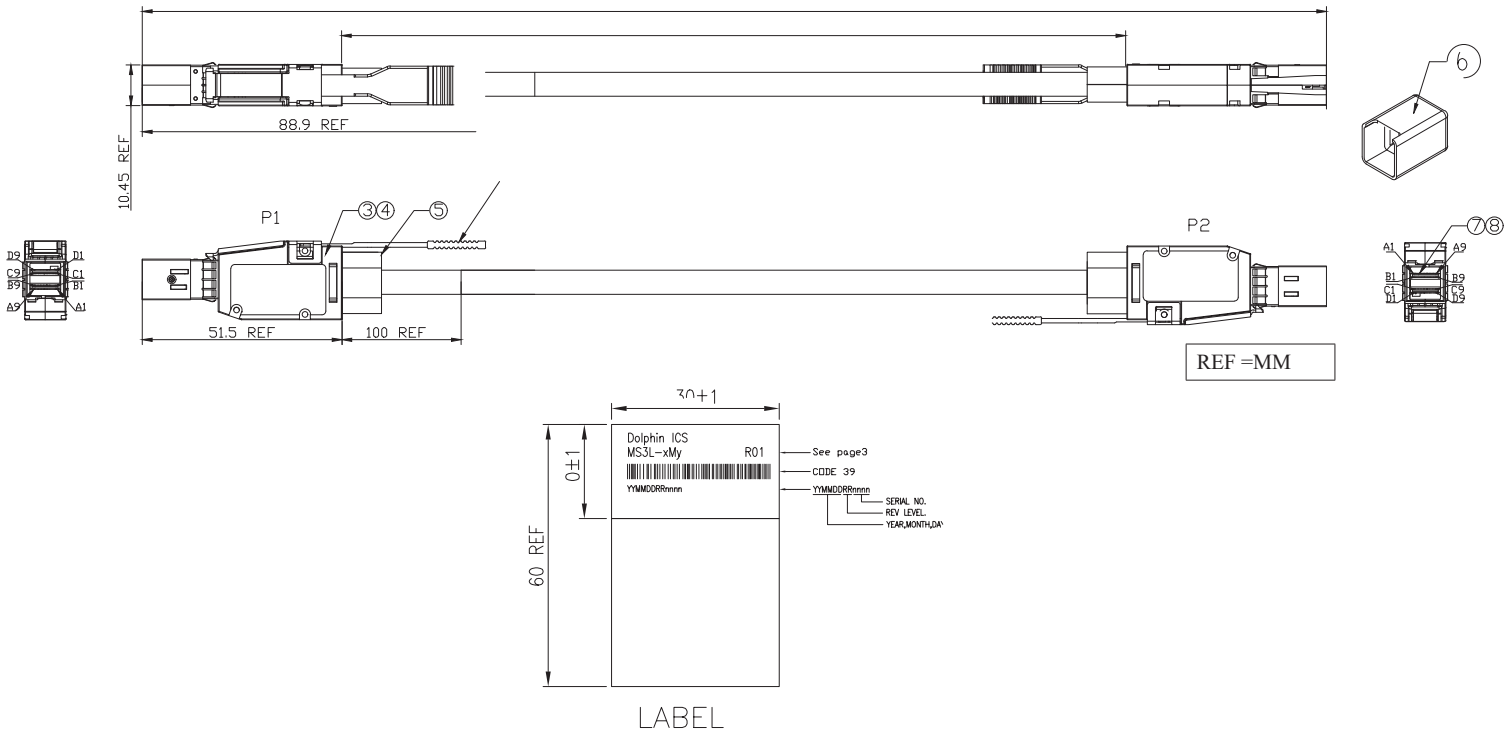
### Pin-Out

| External PCIe x4 Cable Pin-out |     |       |       |     |       |       |     |           |        |
|--------------------------------|-----|-------|-------|-----|-------|-------|-----|-----------|--------|
| Row                            | 9   | 8     | 7     | 6   | 5     | 4     | 3   | 2         | 1      |
| D                              | GND | PETn2 | PETp2 | GND | PETn1 | PETp1 | GND | MGTPWR    | PWR    |
| C                              | GND | PETn3 | PETp3 | GND | PETn0 | PETp0 | GND | CMISDA    | CMISCL |
| B                              | GND | PERn2 | PERp2 | GND | PERn1 | PERp1 | GND | CBLPRSNT# | PWR    |
| A                              | GND | PERn3 | PERp3 | GND | PERn0 | PERp0 | GND | CINT#     | CADDR  |





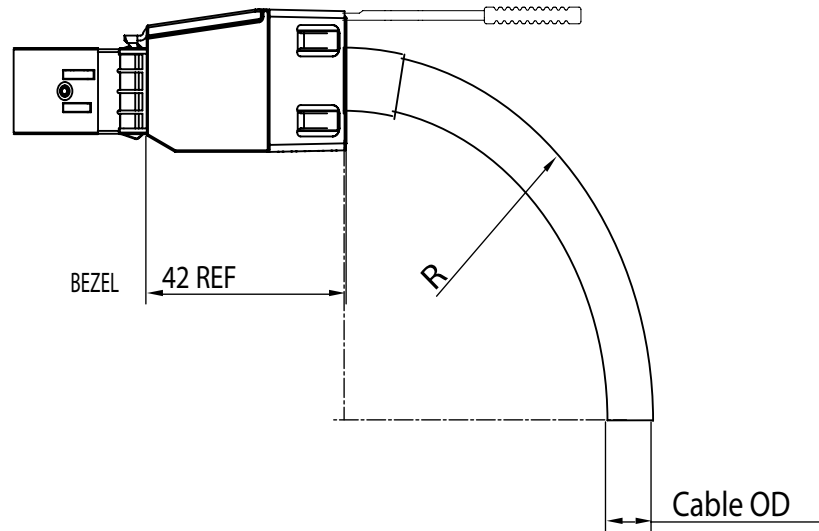
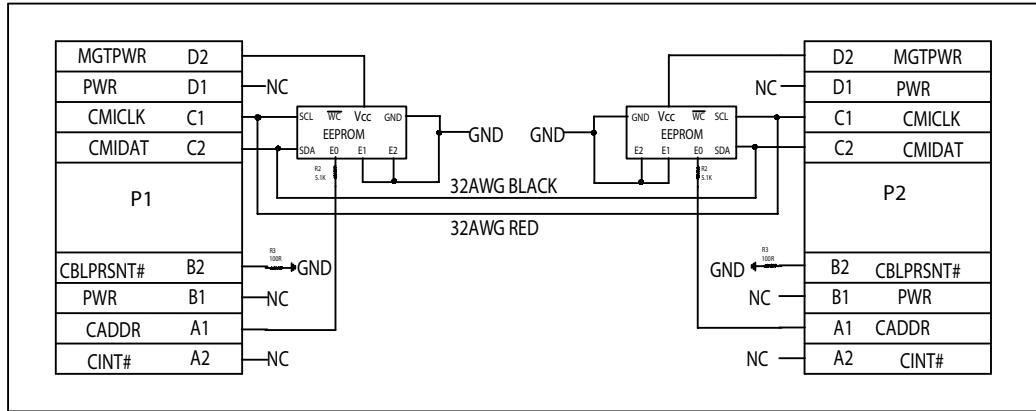
.5 to 3 Meter cable Dimensions



REF =MM

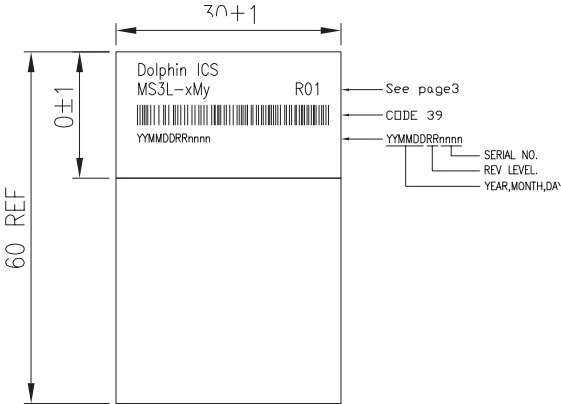
| ITEM | NAME       | QTY | DESCRIPTION  |
|------|------------|-----|--|
| 9    | Pull Tab   | 2   | EXT MINISAS-HD PCB A,B                                   |
| 8    | PCB        | 2   | EXT MINISAS-HD PCB C,D                                   |
| 6    | DUST COVER | 2   | DUCT COVER FOR SFF-8644, PE, NATUAL                      |
| 5    | CABLE SR   | 2   | CABLE SR FOR EXT MINISAS-HD, PVC, BLACK                  |
| 4    | INNER MOLD | 2   | INNER MOLDING FOR EXT MINISAS-HD                         |
| 3    | SHELL      | 2   | EXT MINISAS-HD SHELL, LATCH, PULL TAB, RIVET, EMI FINGER |
| 2    | LABEL      | 1   | ID LABEL, 60*30MM  |
| 1    | RAW CABLE  | R/A | 8PX**AWG CABLE, BLACK, PVC                               |

## LOW SPEED CONTROL



| Length         | Cable Gauge | Cable "OD" | Static Bend Radius "R" | Dynamic Bend Radius "R" |
|----------------|-------------|------------|------------------------|-------------------------|
| 500MM-3000MM   | 28AWG       | 9.4MM      | 47.0MM                 | 94MM                    |
| 4000MM -5000MM | 26AWG       | 8.5MM      | 42.5MM                 | 85MM                    |

Label Information



LABEL

| WIRE TYPE | XX AWG | XM1 LENGTH | XM2 LENGTH |
|-----------|--------|------------|------------|
| PVC       | 28     | 500+/- 20  |            |
| PVC       | 28     | 1000+/-30  |            |
| PVC       | 28     | 2000+/-30  |            |
| PVC       | 28     | 3000+/- 40 |            |
| PVC       | 26     | 5000+/-50  |            |
| PVC       | 28     |            | 500+/- 20  |
| PVC       | 28     |            | 1000+/-30  |
| PVC       | 28     |            | 2000+/-30  |
| PVC       | 28     |            | 3000+/- 40 |
| PVC       | 26     |            | 5000+/- 50 |